

AISLE-MASTER

Increasing Storage-Reducing Costs

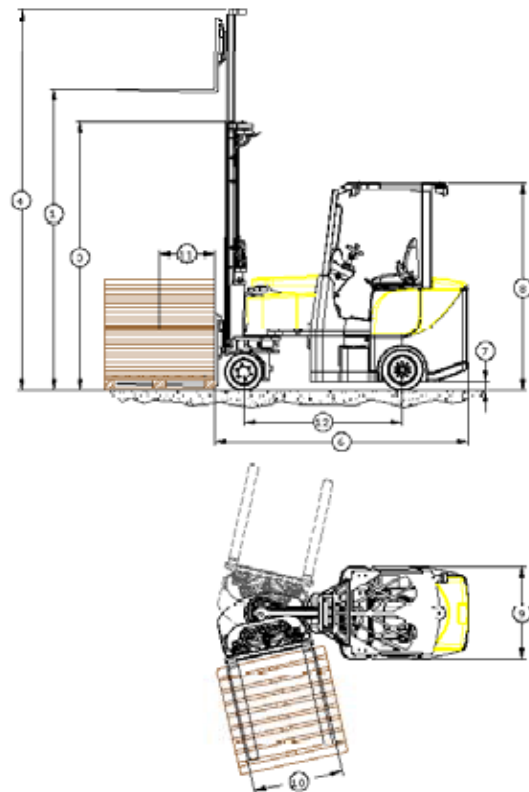


**REDUCE AISLE WIDTHS
INCREASE STORAGE SPACE
CUT WAREHOUSING COSTS
IMPROVE PRODUCTIVITY**

LPG | AC ELECTRIC

www.Aisle-Master.com

| | MODEL | 30WE-30WHE |
|---|-------------------------------|--------------------|
| REF. | Description | |
| 1 | Lift Height | 4750 mm |
| 2 | Free Lift | 1536 mm |
| 3 | Closed Height | 2398 mm |
| 4 | Extended Height | 5613 mm |
| 5 | Mast Range | 4300 - 12400 mm |
| 6 | Overall Length | 2780 mm |
| 7 | Ground Clearance | 50 mm |
| 8 | Overhead Guard height | 2270 mm |
| 9 | Chassis Width Rear | 1600 mm |
| 10 | Chassis Width Front | 980 mm |
| 11 | Load Centre | 500 mm |
| 12 | Wheel Base | 1735 mm |
| 13 | Seat Height | 1220 mm |
| 14 | Mast Tilt (back/fwd) | 3 / 1 |
| 15 | Capacity | 3000 kg |
| 16 | Ground Speed | 16km/h |
| 17 | Lift Speed (Laden/Unladen) | 0.4 / 0.5m/s |
| 18 | Front Tyre size | 412 x 228 mm |
| 19 | Rear Tyre size | 457 x 228 mm |
| 20 | Gradeability (Laden/Unladen) | 12 / 15% |
| 21 | Battery Voltage/Capacity | 48v / 775 / 930 Ah |
| 22 | Weight of Truck less battery | 5310 kg |
| 23 | Weight of truck including the | 7000 kg |
| 24 | Standard Colour | Yellow/Grey |
| 25 | Seat | KAB |
| OPTIONAL LIFT HEIGHTS AND FORK LENGTHS AVAILABLE | | |



Distributed by:

Features:

- AC Traction motor (19.5 kW)
- 775 Amp and 930 Amp hour capacity batteries
- Ergonomically designed operator's cab
- Full factory fitted customisations options available

Aisle-Master Ltd.
Gallinagh, Co. Monaghan
Ireland

Tel: +353 47 80400 | Fax: +353 47 80402
 UK: 07870 976 758 | USA: 1877 266 2456
 Australia: 1300 552 422
 E-Mail: info@aisle-master.com
 Website: www.aisle-master.com

LPG | AC ELECTRIC

www.Aisle-Master.com